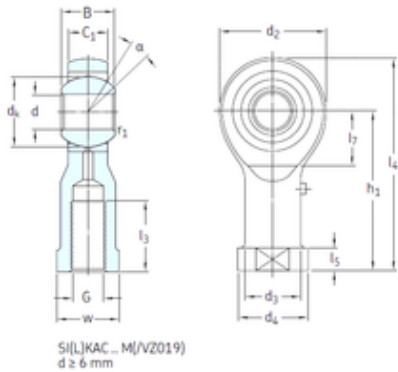




# AST DRIVESHAFT Industrial Limited



## SKF SILKAC5M plain bearings

Bearing No. SILKAC5M

Bore Diameter	5 mm
d	5 mm
d2	19 mm
d3	9 mm
d4 max.	12 mm
dk	11,1 mm
h1	27 mm
l3 min.	8 mm
l4 max.	38 mm
l5	4 mm
l7 min.	9 mm
r1 min.	0,3 mm
B	8 mm
C1	7,5 mm
w	9 Tolerance h14
Thread (G)	M5 Tolerance 6H
Angle	13 °
Weight	0,017 Kg
Basic dynamic load rating (C)	3,25 kN

SILKAC5M Bearing 2D drawings and 3D CAD models