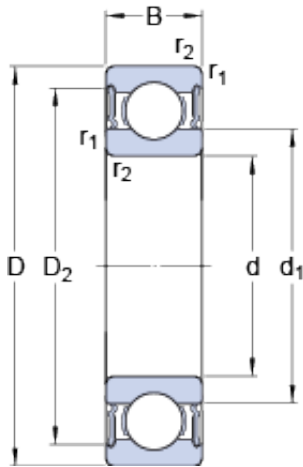




AST DRIVESHAFT Industrial Limited



35 mm x 72 mm x 17 mm SKF 6207-2RS1 deep groove ball bearings

Bearing No. 6207-2RS1

6207-2RS1 Bearing 2D drawings and 3D CAD models

Size	72x35x17 mm
Bore Diameter	72 mm
Outer Diameter	35 mm
Width	17 mm
d	35 mm
D	72 mm
B	17 mm
d ₁	46.94 mm
D ₂	62.69 mm
r _{1,2} - min.	1.1 mm
d _a - min.	42 mm
d _a - max.	46.8 mm
D _a - max.	65 mm
r _a - max.	1 mm
Basic dynamic load rating - C	27 kN
Basic static load rating - C ₀	15.3 kN
Fatigue load limit - P _u	0.655 kN
Limiting speed	6300 r/min
Calculation factor - k _r	0.025
Calculation factor - f ₀	13.8
Category	Single Row Ball Bearings
Inventory	1.0
Manufacturer Name	SKF
Minimum Buy Quantity	N/A



AST DRIVESHAFT Industrial Limited

Weight / Kilogram	0.302
EAN	7316577067319
Product Group	B00308
Enclosure	2 Seals
Precision Class	ABEC 1 ISO P0
Maximum Capacity / Filling Slot	No
Rolling Element	Ball Bearing
Snap Ring	No
Internal Special Features	No
Cage Material	Steel
Enclosure Type	Contact Seal
Internal Clearance	C0-Medium
Inch - Metric	Metric
Long Description	35MM Bore; 72MM Outside Diameter; 17MM Outer Race Diameter; 2 Seals; Ball Bearing; ABEC 1 ISO P0; No Filling Slot; No Snap Ring; No Internal Special Features
Category	Single Row Ball Bearing
UNSPSC	31171504
Harmonized Tariff Code	8482.10.50.68
Noun	Bearing
Keyword String	Ball
Manufacturer URL	http://www.skf.com
Manufacturer Item Number	6207-2RS1
Weight / LBS	0.66
Outer Race Width	0.669 Inch 17 Millimeter
Bore	1.378 Inch 35 Millimeter
Outside Diameter	2.835 Inch 72 Millimeter
d ₁	46.94 mm
D ₂	62.69 mm



AST DRIVESHAFT Industrial Limited

$r_{1,2}$ min.	1.1 mm
d_a min.	42 mm
d_a max.	46.8 mm
D_a max.	65 mm
r_a max.	1 mm
Basic dynamic load rating C	27 kN
Basic static load rating C_0	15.3 kN
Fatigue load limit P_u	0.655 kN
Calculation factor k_r	0.025
Calculation factor f_0	13.8
Mass bearing	0.3 kg