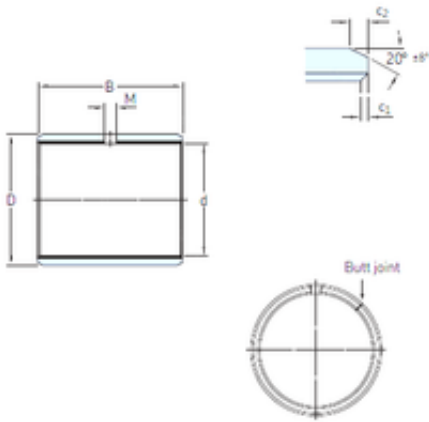




AST DRIVESHAFT Industrial Limited



80 mm x 85 mm x 100 mm SKF PCM 8085100 E plain bearings

Bearing No. PCM 8085100 E

PCM 8085100 E Bearing 2D drawings and 3D CAD models

Size	80x85x100 mm
Bore Diameter	80 mm
Outer Diameter	85 mm
Width	100 mm
d	80 mm
D	85 mm
B	100 mm
c1 min	0,2 mm
c2 min	1,2 mm
M	– mm
Weight	0,485 Kg
Basic dynamic load rating (C)	630 kN
Category	Plain Bearings
Inventory	0.0
Manufacturer Name	SKF
Minimum Buy Quantity	N/A
Weight / Kilogram	0.53
EAN	7316571902814
Product Group	B04264
c ₁ min.	0.2 mm
c ₁ max.	1 mm
c ₂ min.	1.2 mm
c ₂ max.	2.4 mm
± 8	20 °
Tolerance shaft	h8



AST DRIVESHAFT Industrial Limited

Tolerance housing	H7
Basic dynamic load rating - radial direction C	630 kN
Basic static load rating - radial direction C_0	1960 kN
Specific dynamic load factor K	80 N/mm ²
Specific static load factor K_0	250 N/mm ²
Factor depending on material and bearing type K_M	480
Permissible sliding velocity v min.	0 m/s
Permissible sliding velocity v max.	2 m/s
Coefficient of friction μ min.	0.03
Coefficient of friction μ max.	0.25
Mass bushing	0.49 kg